

# A Series by Shermann

## LM401

The Shermann **LM401** is a compact, lightweight, three way low profile wedge monitor.

For operational convenience we have fitted two sets of dual NL4 input plates, one set at the lower front edge and the other set on the other end to the handle.

Also supplied is a GSA1/35 stand mount adaptor to enable use with any good quality tripod stand or bass cabinet mounted extension pole.

In addition, two point flying track is also supplied as standard.



### Low-Profile Versatility.

Cost-effective, lightweight, compact and capable of performing a wide variety of tasks.

The **LM401** is a powerful stage monitor; using its steep 35° angle it can be placed close to microphone stands for maximum upward vocal projection thereby reducing spill to other performers.

Also, as a front-of-house PA box the **LM401** offers premium performance whether pole mounted or stacked upon Shermann LF units.

The **LM401** may be used in partnership with any compact Shermann LF unit to create stunning drum and keyboard monitors or on-stage side fills.

### **Touring the LM401**

Versatility is the keyword with all Shermann products and the LM4 has been designed to maximise use within a wide variety of system combinations.

This compact, lightweight workhorse is supplied with a strategically placed handle to assist loading or stacking.

A heavy duty 35mm pole mount is supplied as standard.

### **Installing the LM401**

The numerous advantages of fully equipped Shermann touring boxes are also available to the installer.

For obvious reasons we do not supply different versions of wedge monitors as they would normally need to be portable and therefore finished as a standard unit.

We can of course supply this model in various colour finishes.

### **Exterior fittings**

**Handles** (top & bottom)  
recessed grab type

### **Finish**

**TPC (Textured Protective Coating)**  
or for install, TRC paint

### **Skids**

bottom and rear mounted easily  
replaced 15mm plywood skids

### **Flying Points**

2 point track supplied as standard

### **Construction**

#### **Cabinet shell**

15mm multi-laminate Scandinavian birch plywood.

#### **Baffle assembly**

18mm multi-laminate Scandinavian birch plywood.

### **Connections**

#### **Speakon NL4**

pin 1+ **hot** / pin 1- **cold**

*Input sockets may be parallel linked on all pins  
eg. 1+ to 1+ / 2+ to 2+ (see diagram)*

*This facility allows "daisy chaining" of four LM401 cabinets in pairs using one four core cable.*

*An appropriate adaptor cable capable of routing the feed from pins 2+/2- to 1+/1- is available.*

### **Crossover frequencies**

#### **High pass** (full range mode)

40Hz 4th/8th order Linkwitz-Riley  
or Butterworth filtering

#### **High pass** (with Shermann LF systems)

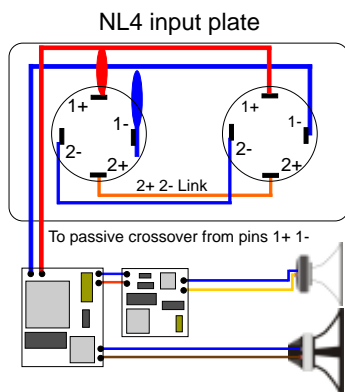
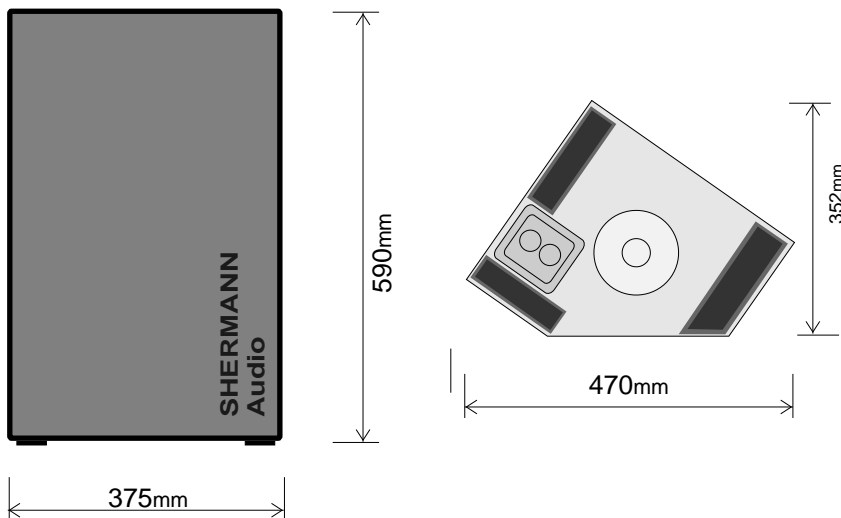
110Hz 4th order Linkwitz-Riley

\* Options must be requested at time of ordering.

For optimum performance and system protection we recommend the use of a digital loudspeaker management unit within systems incorporating the LM401.

Ashly, BSS, Klark-Teknik and XTA offer suitable models which may be loaded with preset configurations to enable successful operation within any Shermann system.

## LM401



### Speaker Cables

We recommend the use of **2.5mm<sup>2</sup>** or **4mm<sup>2</sup>** OFC cabling with all Shermann full range cabinets.

Wherever possible, cable lengths should not exceed **5 metres** for 4 ohm loading (*2 x 8ohm LM401 in parallel*); cabinet link cables should not exceed 1 metre.

Please call for details on Shermann cables - contact info' shown below.

#### Please note

We would like to draw your attention to the likelihood of hearing damage from prolonged exposure to high sound pressure levels.

Care should be taken when using cabinets in close proximity to the audience, musicians or artists.

For further information on the safe operation of any Shermann product please fax, call or email us - contact details are shown below.

The information within this data sheet is accurate and correct at the time of publication.

It is recommend that all technical information is verified with the company before inclusion in quotations or tender documents.

The company will not be held responsible for losses or difficulties arising from errors, changes or omissions.

**Tel:** +44 (0)8456 44 22 09 (01686 622 997)

**Fax:** +44 (0)1686 623 233

**Email:** sales@shermann.com

**Web:** [www.shermann-audio.com](http://www.shermann-audio.com)

All data, images & product design; © Ken Hughes 2008. **Shermann** is a registered trade mark used by S.P.A. Systems Ltd

### Technical Specifications

#### System

Format	3 way Passive
Network	PCN4
Nom' impedance	8 ohms
Hi-pass filter (-3dB point)	40Hz / 4th order
Rec' amp' power @ 8 ohm	350 - 600 watts rms
Continuous Programme	1200 watts

#### Performance

Sensitivity @ 1w/1m	98 dB
Maximum output	127 dB @ 1m
Frequency response	55 Hz - 18.5 KHz
Dispersion > 2 KHz	50° x 90°

#### Drive unit - LF

Drive unit size	305 mm / 12"
Voice coil diameter	76 mm / 3"
Chassis	cast aluminium
Magnet	neodymium
Mounting	6mm caphead bolts x 4

#### Drive unit - MF

Drive unit size	165 mm / 6.5"
Voice coil diameter	38 mm / 1.5"
Chassis	cast aluminium
Magnet	neodymium
Mounting	5mm caphead bolts x 4

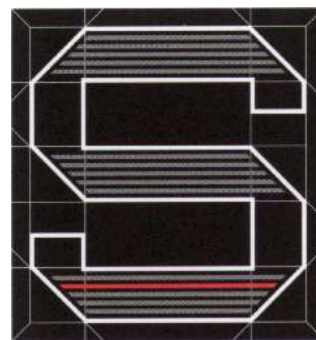
#### Drive unit - HF

Drive unit exit	25 mm / 1"
Voice coil diameter	44 mm / 1.75"
Magnet	ferrite
Diaphragm	mylar
Horn mounting	5mm c/s socket bolts x 4

#### Dimensions

Height	584 mm (23.00")
Depth	302 mm (11.89")
Width	367 mm (14.45")
Apex height (as wedge)	352 mm (13.85")
External volume	59 lts (2.07 ft <sup>3</sup> )
Weight	18.8 Kgs (42 lbs)

\* Options must be requested at time of ordering.



**Shermann**

The A Series